

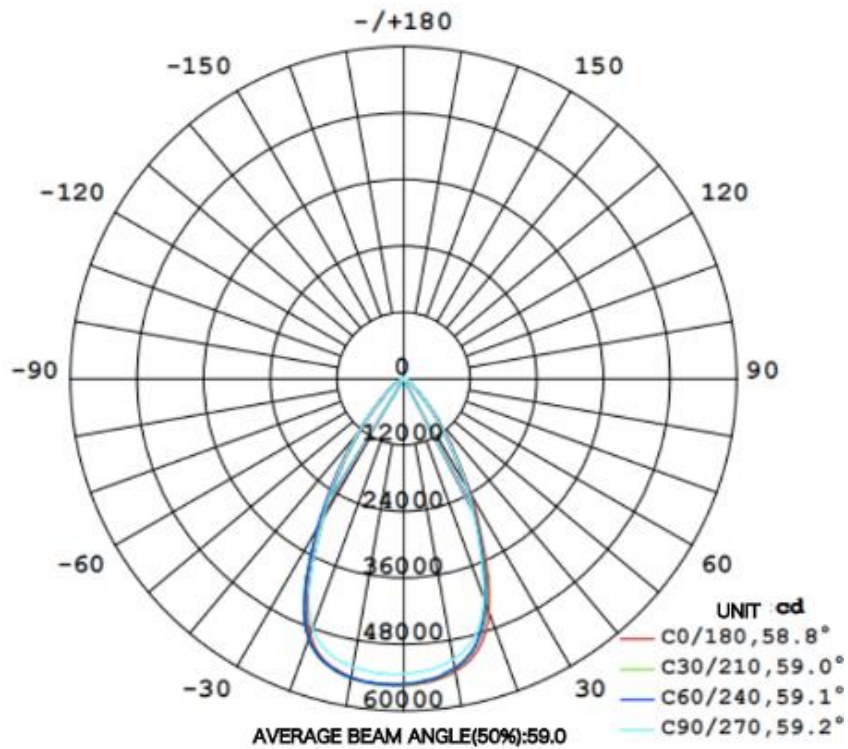


LED Flood Light Data Sheet

JMG350W**K 3000-4000K Range

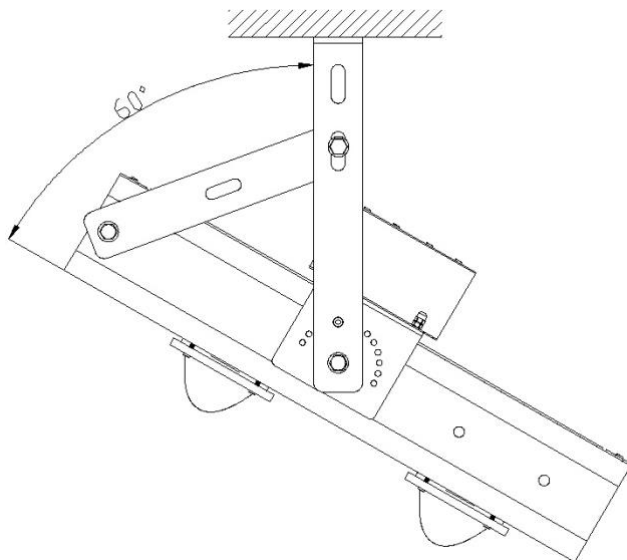
| General Information | |
|-------------------------------------|---|
| Patented Technology | Thermal Resonance Heat Transfer LED Cooling |
| Housing Material | Aluminum |
| Driver/Power Unit/Transformer | Power supply unit |
| Electrical Protection | Safety class I |
| CQC Certification | CQC |
| SAA Certification | SAA |
| IP Rating | IP66/67 |
| IK Rating | IK10 |
| Mount | Post Top |
| Operating Ambient Temperature Range | -40 to +55 °C |
| Operating Ambient Humidity Range | 0-95% |
| Light Source | COB |
| Electrical Data | |
| Power | 350W |
| Input Voltage | 220-240 V |
| Input Frequency | 50 to 60 Hz |
| Power Factor (Nom) | 0.97 |
| Power Efficiency | ≥ 95% |
| Lifespan L70B50 | 100,000 |
| Warranty | 5 - 10 years |
| Optical Data | |
| Luminaire Efficacy (Lm/W) | |
| 3000K | 147 |
| 4000K | 161 |
| Luminous Flux (Lm) | |
| 3000K | 51,450 |
| 4000K | 56,350 |
| CRI (Ra) | 70 |
| Annual Light Decay | ≤ 2% |
| Distribution Type | Flood Lighting |
| Physical Data | |
| Product Dimensions (Mm) | 670(L) x 420(W) x 240(H) |
| Maximum Wind Area (M2) | 0.08 |
| Product Net Weight (Kg) | 13 |
| Packaging Data | |
| Packaging Dimensions (Mm) | 690(L) x 440(W) x 275(H) |
| Units Per Packaging | 1 |

Diagrams



Installation method

Luminaires should be placed at a 15 degree inclination angle with the horizontal plane to avoid uneven distribution of light. As shown in the figure below. The product light source has a certain tilt angle with the ground, and the heat dissipation body cannot be placed vertically or at an elevation angle of the product.



Safety Instructions

1. Warning! All power must be disconnected at power source before any installation and service procedure is performed. Maintenance of lamps and lanterns must be performed by professional technician, non-professional do not remove lamps and lanterns;
2. This appliance is hot when in use. To avoid burns, do not let bare skin touch hot surfaces. Keep combustible materials, such as drapes and other furnishings, away from appliance.
3. Extreme caution is necessary when any appliance is used by or near children and whenever the appliance is left unattended.
4. Always disconnect appliance before cleaning, adjusting or maintaining this machine.
5. To prevent a possible fire, it is recommended that the unit is placed on a non-combustible surface.
6. This appliance has electrical parts. Do not use it in areas where gasoline, paint, or flammable liquids are used or stored.