

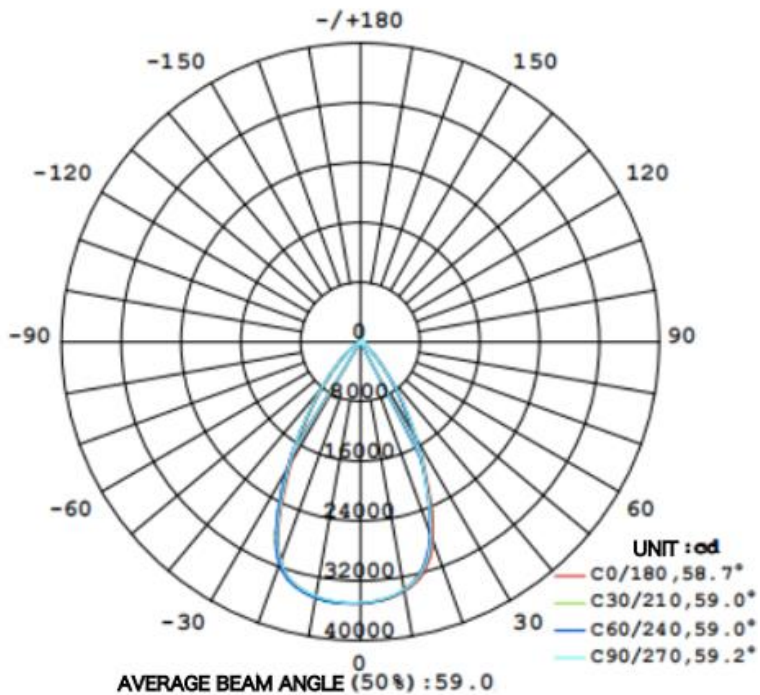


# LED Flood Light Data Sheet

JMG200W\*\*K 3000-4000K Range

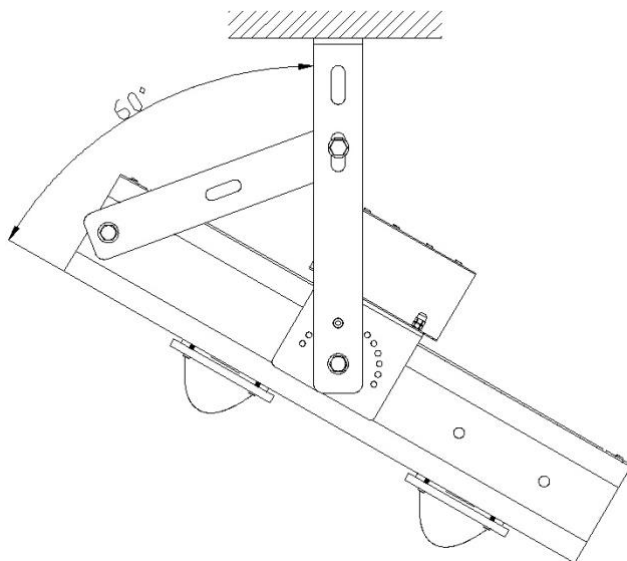
General Information	
Patented Technology	Thermal Resonance Heat Transfer LED Cooling
Housing Material	Aluminum
Driver/Power Unit/Transformer	Power supply unit
Electrical Protection	Safety class I
CQC Certification	CQC
SAA Certification	SAA
IP Rating	IP66/67
IK Rating	IK10
Mount	Post Top
Operating Ambient Temperature Range	-40 to +55 °C
Operating Ambient Humidity Range	0-95%
Light Source	COB
Electrical Data	
Power	200W
Input Voltage	220-240 V
Input Frequency	50 to 60 Hz
Power Factor (Nom)	0.97
Power Efficiency	≥ 95%
Lifespan L70B50	100,000
Warranty	5 - 10 years
Optical Data	
Luminaire Efficacy (Lm/W)	
3000K	165
4000K	173
Luminous Flux (Lm)	
3000K	33,000
4000K	34,600
CRI (Ra)	70
Annual Light Decay	≤ 2%
Distribution Type	Flood Lighting
Physical Data	
Product Dimensions (Mm)	670(L) x 420(W) x 240(H)
Maximum Wind Area (M2)	0.08
Product Net Weight (Kg)	10
Packaging Data	
Packaging Dimensions (Mm)	690(L) x 440(W) x 275(H)
Units Per Packaging	1

## Diagrams



## Installation method

Luminaires should be placed at a 15 degree inclination angle with the horizontal plane to avoid uneven distribution of light. As shown in the figure below. The product light source has a certain tilt angle with the ground, and the heat dissipation body cannot be placed vertically or at an elevation angle of the product.



## **Safety Instructions**

1. Warning! All power must be disconnected at power source before any installation and service procedure is performed. Maintenance of lamps and lanterns must be performed by professional technician, non-professional do not remove lamps and lanterns;
2. This appliance is hot when in use. To avoid burns, do not let bare skin touch hot surfaces. Keep combustible materials, such as drapes and other furnishings, away from appliance.
3. Extreme caution is necessary when any appliance is used by or near children and whenever the appliance is left unattended.
4. Always disconnect appliance before cleaning, adjusting or maintaining this machine.
5. To prevent a possible fire, it is recommended that the unit is placed on a non-combustible surface.
6. This appliance has electrical parts. Do not use it in areas where gasoline, paint, or flammable liquids are used or stored.